

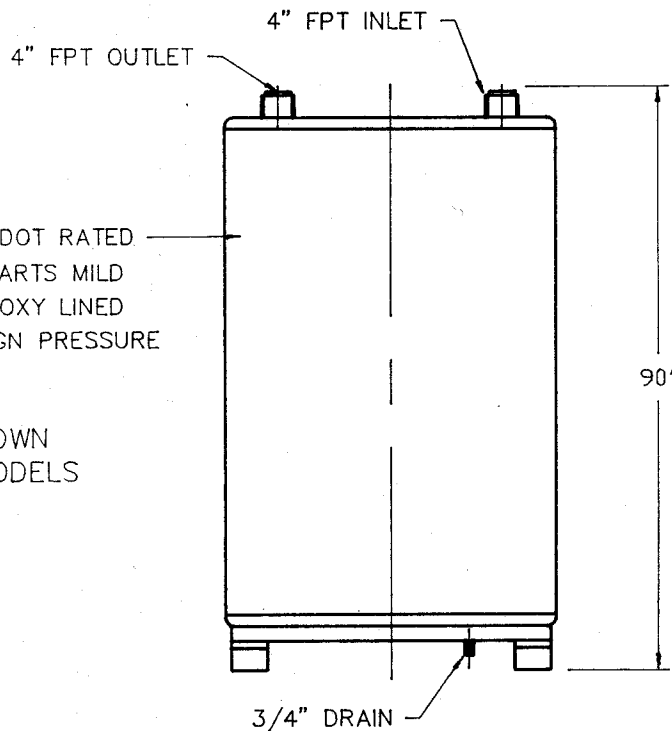
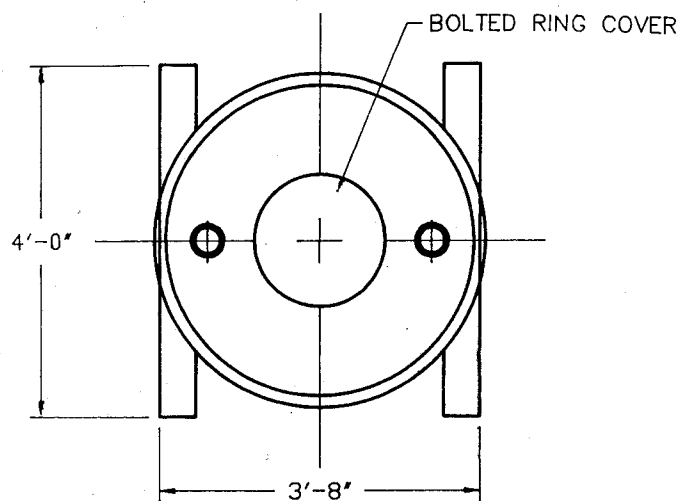


SERVICE TECH, INC.

Activated Carbon Engineering, Sales and Service

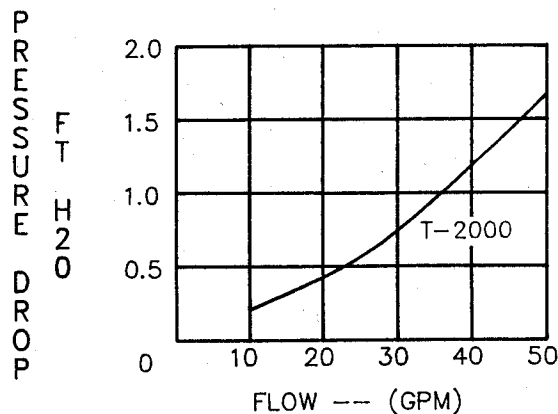
T-2000 LIQUIDCLEAN T-2000 POUND CARBON STEEL ADSORBERS

The T-2000 LiquidClean activated carbon adsorber for use in high flow, low pressure water purification.



DIMENSIONS & DETAILS SHOWN
ARE FOR TRANSPORTABLE MODELS

- | | |
|-----------------|--|
| Container | - 45-1/2" dia/ x 90" hgt.
- epoxy lined, mild steel construction |
| Carbon | - 2000 lbs. virgin high activity carbon |
| Features | - 4" FPT steel inlet / outlet on top of container
- 4" diameter multiple pipe under drain system
- shipping weight 4400 lbs. |
| Operating Specs | - 12 psi max. operating pressure
- 50 GPM maximum flow |
| Options | - plastisol, PVC lining
- interconnecting piping and fittings
- pressure / air release valves |



(508) 673-9784 • Toll Free (800) 368-0043 • Fax (508) 673-6151

• Mailing: P.O. Box 8093, Cranston, RI 02920 • Sales & Distribution: 1658 G.A.R. Highway, Swansea, MA 02777 • Warehouse & Manufacturing: 1980 Fall River Avenue, Seekonk, MA 02771