



SERVICE TECH, INC.

"Activated Carbon Engineering, Sales and Service"

STI Model SHP 5000

Standard Vessel

The STI Model SHP 5000 is a 180 ft³ (5,000 lb.) GAC Liquid Phase Adsorption Vessel. The vessel will have the following features:

- 6' x 8' Side Shell Carbon Steel Construction
- 4" 150 lb. Flange Inlet and Outlet (sized for backwash flowrates)
- 3" Polypro lined steel carbon transfer line
- 2" Utility Supply Line (air/water)
- Lower Stainless Steel Header and Lateral Distribution System
- Epoxy internal coating
- Epoxy external coating
- 12" x 16" Elliptical manways: (2) Top and Lower side
- Lifting Lugs

Carbon Capacity

- 180 ft³ of STI 8x30

Options Available

- Plasite Internal Coating
- ASME Code-Stamped 100 pi
- Pressure Relief Valve for thermal pressure protection
- Premium Three Component exterior coating for harsh environments
- Stainless Steel construction
- Pre-piped and skid-mounted as systems
- Available with a wide variety of activated carbon grades

(508) 673-9784 ♦ Toll Free (800) 368-0043 ♦ Fax (508) 673-6151

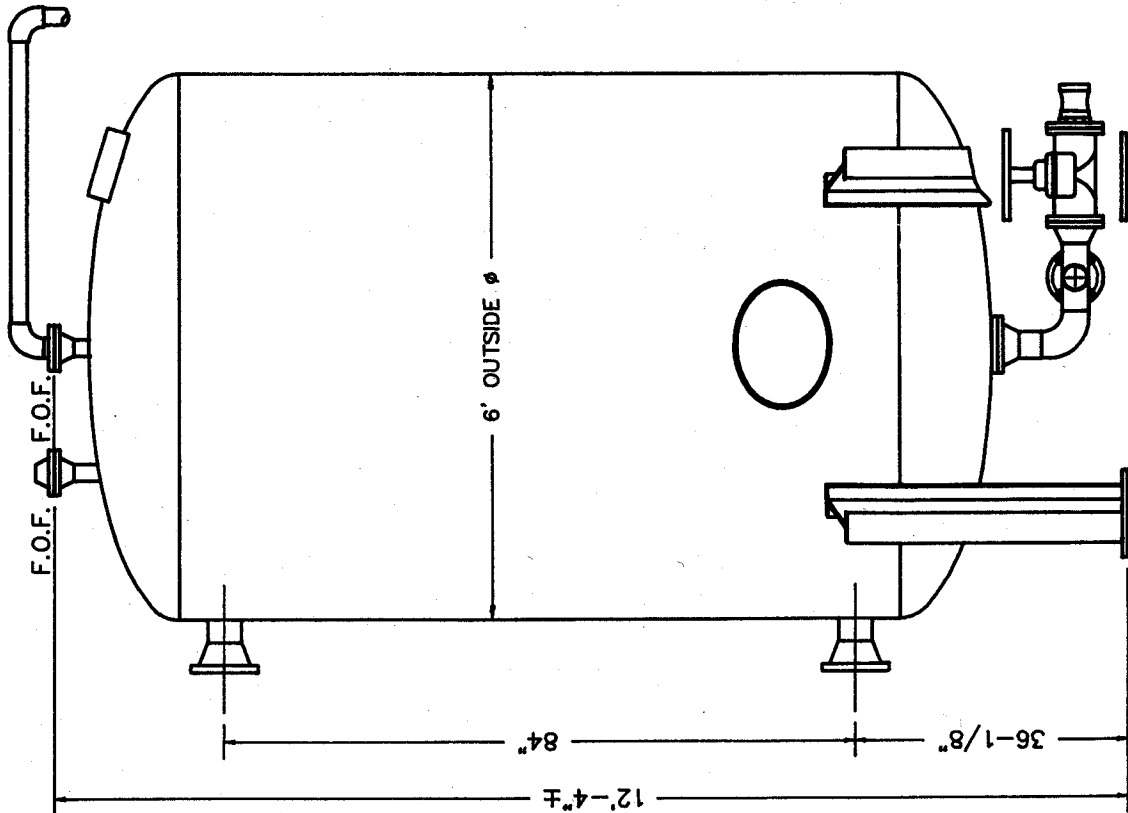
• Mailing: PO Box 8093, Cranston, RI 02920 • Sales & Distribution: 1658 GAR Highway, Swansea, MA 02777 • Warehouse & Manufacturing: 1980 Fall River



SERVICE TECH, INC.

Activated Carbon Engineering, Sales and Service

STI MODEL SHP-5000



The STI Model SHP 5000 is a 180 ft (5,000 pound) GAC Liquid Phase Adsorption Vessel. The vessel will have the following features:

- * 6' ϕ x 8' Side Shell Carbon Steel Construction
- * 4" 150# Flange Inlet & Outlet (Sized for Backwash Flowrates)
- * 3" Polypro Lined Steel Transfer Line
- * Lower Stainless Steel Header & Lateral Distribution System
- * Epoxy Internal Coating
- * Epoxy External Coating
- * 12" x 16" Elliptical Manways: (2) Top and Lower side
- * Lifting Lugs

CARBON CAPACITY: 180 ft³ Of STI 8x30

OPTIONS AVAILABLE:

- * Plaste Internal Coating
- * ASME Code Stamped 100 psi
- * Pressure Relief Valve for Thermal Pressure Protection
- * Premium Three component Exterior Coating for Harsh Environments
- * Stainless Steel construction
- * Prepiped and Skid Mounted As System
- * Available With A Wide Variety of Granular Activated Carbon Grades

(508) 673-9784 • Toll Free (800) 368-0043 • Fax (508) 673-6151

• Mailing: P.O. Box 8093, Cranston, RI 02920 • Sales & Distribution: 1658 G.A.R. Highway, Swansea, MA 02777 • Warehouse & Manufacturing: 1980 Fall River Avenue, Seekonk, MA 02771