



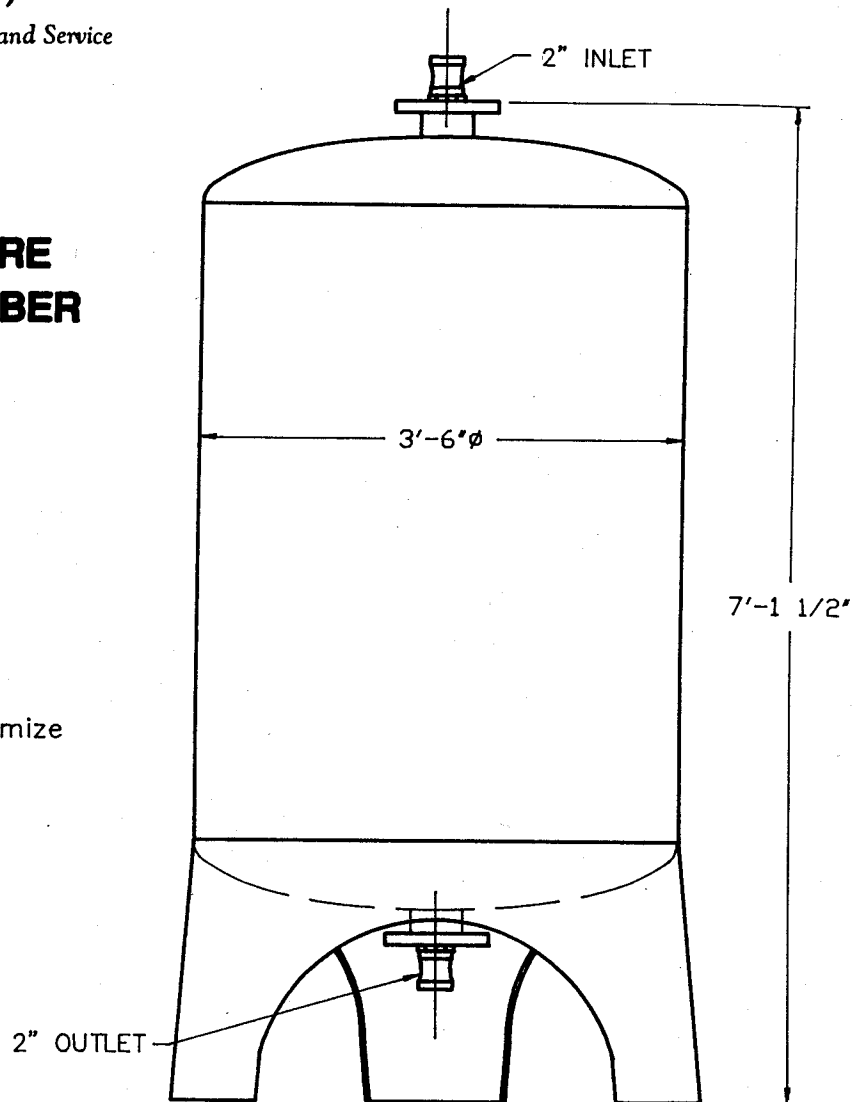
# SERVICE TECH, INC.

Activated Carbon Engineering, Sales and Service

## LIQUIDCLEAN - HP 1000 1000 POUND HIGH PRESSURE ACTIVATED CARBON ADSORBER

### STANDARD FEATURES

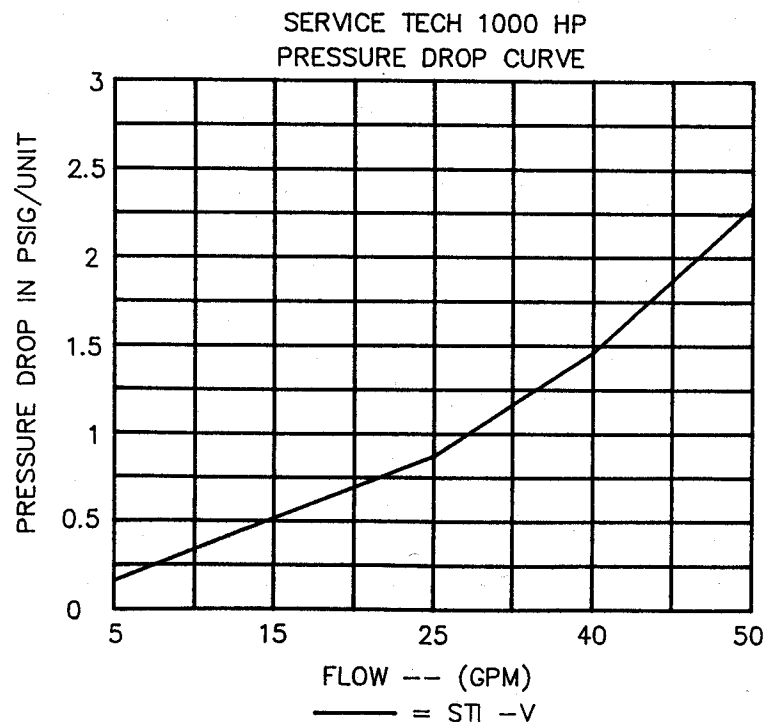
- \* 1000#S of virgin activated carbon, coal base, 8x30 mesh.
- \* Standard 2"FNPT couplings for easy installation.
- \* Heavy duty, corrosion resistant *Polyglass<sup>R</sup>* composite poly vessel
- \* Hub & lateral internal distribution and collection assemblies designed to maximize flow & carbon utilization.
- \* High pressure vessel rated to 150 psig operation @ 150°F.



### SPECIFICATIONS

Max Suggested Flow	- 50 GPM
Typical Flows	- 10 to 30 GPM
Inlet	- 2" fnpt
Outlet	- 2" fnpt
Max Operating Temperature	- 150°F
Max Operating Pressure	- 150 psi max. operating pressure

\* Based on (2) units operating in series and may not be effective in all applications.



(508) 673-9784 • Toll Free (800) 368-0043 • Fax (508) 673-6151

• Mailing: P.O. Box 8093, Cranston, RI 02920 • Sales & Distribution: 1658 G.A.R. Highway, Swansea, MA 02777 • Warehouse & Manufacturing: 1980 Fall River Avenue, Seekonk, MA 02771