



**SERVICE TECH, INC.**

Activated Carbon Engineering, Sales and Service

**LIQUIDCLEAN - HP 2000  
2000 POUND HIGH PRESSURE  
ACTIVATED CARBON ADSORBER**

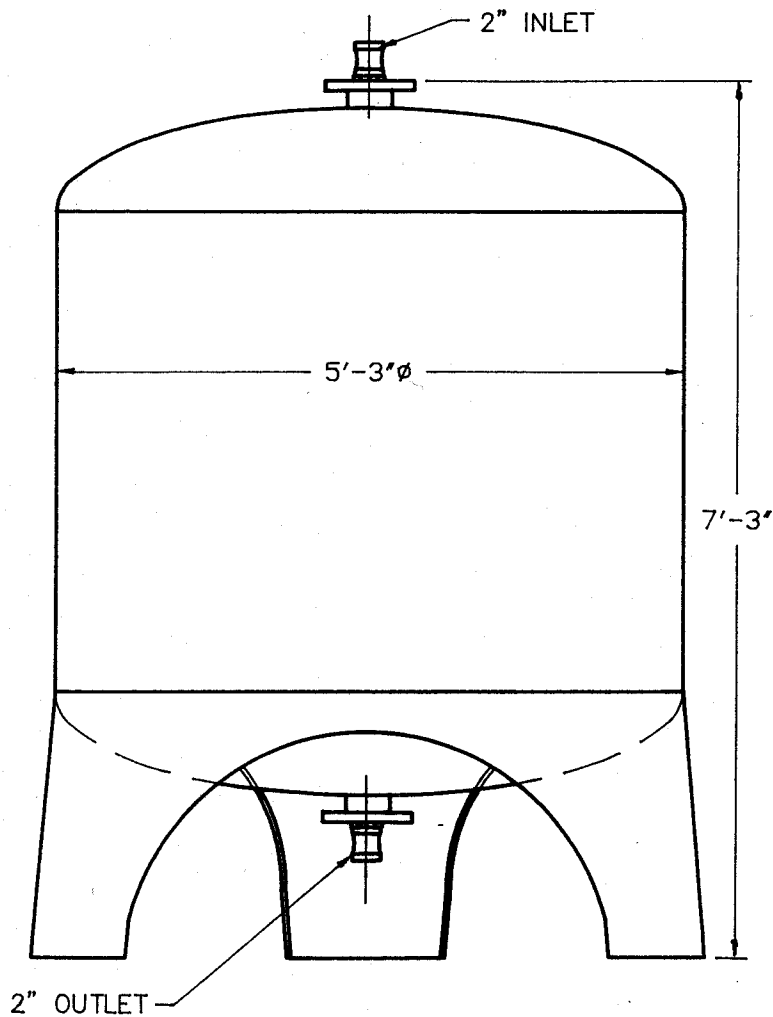
**STANDARD FEATURES**

- \* 2000#S of virgin activated carbon, coal base, 8x30 mesh.
- \* Standard 2"FNPT couplings for easy installation.
- \* Heavy duty, corrosion resistant *Polyglass*<sup>R</sup> composite poly vessel
- \* Hub & lateral internal distribution and collection assemblies designed to maximize flow & carbon utilization.
- \* High pressure vessel rated to 150 psig operation @ 150°F.

**SPECIFICATIONS**

Max Suggested Flow	- 100 GPM
Typical Flows	- 20 to 65 GPM
Inlet	- 2" fnpt
Outlet	- 2" fnpt
Max Operating Temperature	- 150°F
Max Operating Pressure	- 150 psi max. operating pressure

\* Based on (2) units operating in series and may not be effective in all applications.



(508) 673-9784 • Toll Free (800) 368-0043 • Fax (508) 673-6151

• Mailing: P.O. Box 8093, Cranston, RI 02920 • Sales & Distribution: 1658 G.A.R. Highway, Swansea, MA 02777 • Warehouse & Manufacturing: 1980 Fall River Avenue, Seekonk, MA 02771