



SERVICE TECH, INC.

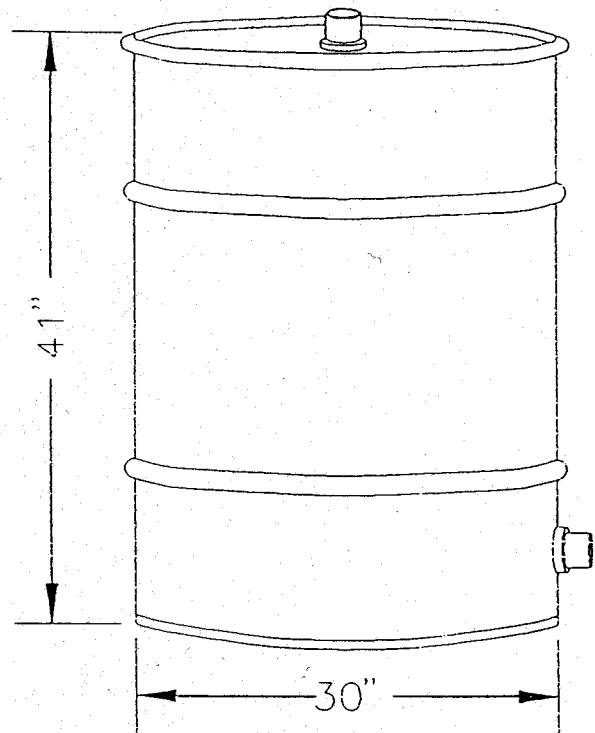
"Activated Carbon Engineering, Sales and Service"

VAPOR 400

Typical Flows	300 CFM
Maximum Suggested Flow #	350 CFM
Maximum Pressure	14 PSI
Maximum Temperature	450° F

STANDARD FEATURES

- 400 lbs. domestic source virgin 4 x 10 mesh carbon, coal or coconut base, 60 min. CCl_4 activity.
- Heavy duty vessel with corrosion resistant interior coating and components. 400° high temperature Epoxy lining.
- Over 700 in² of surface area for superior air distribution and the lowest pressure drops.
- 4" FNPT inlet and outlet connections.
- 100% carbon utilization for increased service life and lower maintenance costs.



(#) Based on minimum accepted contact times and single stage operation. May not be effective in all applications.