



# SERVICE TECH, INC.

Activated Carbon Engineering, Sales and Service

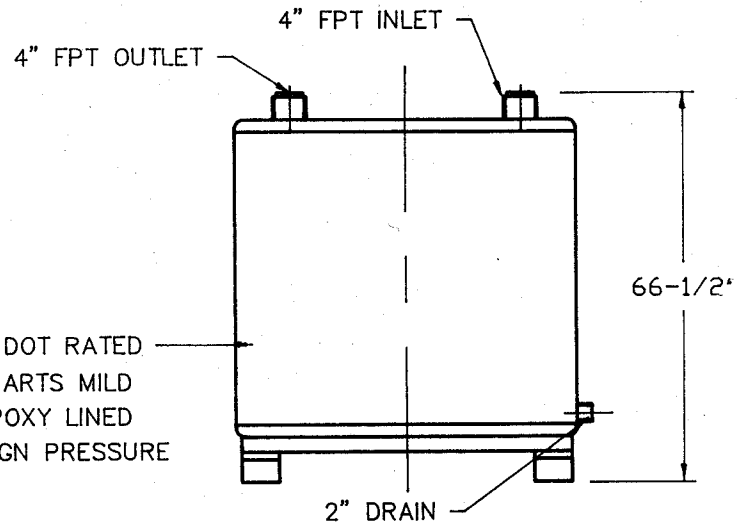
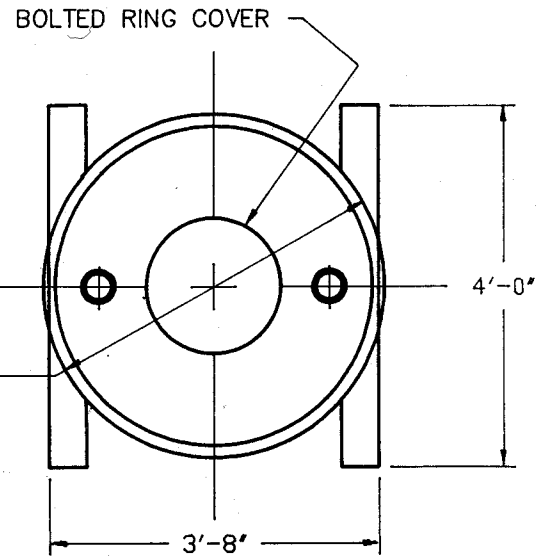
## S-4 AIRCLEAN 1000 POUND ACTIVATED CARBON AIR PURIFICATION ADSORBER

The SERVICE TECH S-4 (air)  
Canister handles up to 550 CFM

### FEATURES

- \* 1000 Pounds of high activity carbon.
- \* Low pressure drop @ 400 CFM  
6" of water
- \* DOT rated. Acceptable for  
shipment of hazardous spent  
carbon.
- \* 2" Side drain for removal of  
accumulated condensate.
- \* Fork lift channels for easy mobility
- \* 4" preforated inlet distributor
- \* Filled with virgin 4x10 GAC, min 65 CTC  
Other carbons also available
- \* Easy on-site changeout capability by STI

45-1/2"  $\phi$  DOT RATED  
WETTED PARTS MILD  
STEEL, EPOXY LINED  
12 PSI DESIGN PRESSURE

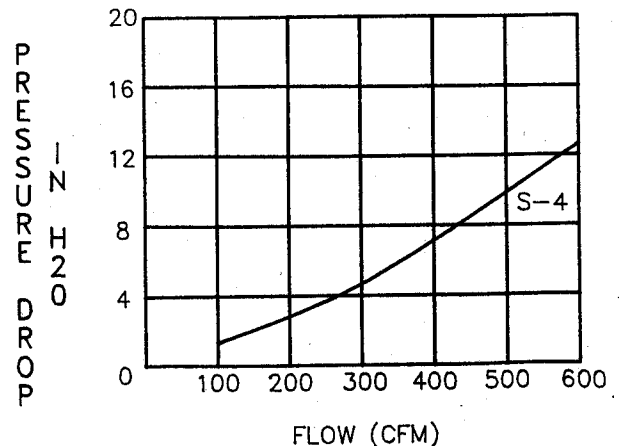


The S-4 is similar to its liquid counterparts,  
in that it is very low in cost & extremely  
efficient. The intelligent engineers alternative.

### SPECIFICATIONS

Container	- 45-1/2" dia/ x 66-1/2" hgt. - Epoxy phenolic interior lining, Epoxy exterior coating (grey)
Carbon	- 1000 lbs. virgin high activity carbon
Max. Pressure	- 12 PSI
Max. Flow Rate	- 550 CFM
Bed Depth	- 3.3'
Shipping Weight	- 1,500 lbs.
Inlet	- 4" fpt
Outlet	- 4" fpt
Drain	- 2" Bung

SERVICE TECH S-6  
PRESSURE DROP CURVE



(508) 673-9784 • Toll Free (800) 368-0043 • Fax (508) 673-6151

• Mailing: P.O. Box 8093, Cranston, RI 02920 • Sales & Distribution: 1658 G.A.R. Highway, Swansea, MA 02777 • Warehouse & Manufacturing: 1980 Fall River Avenue, Seekonk, MA 02771