



SERVICE TECH, INC.

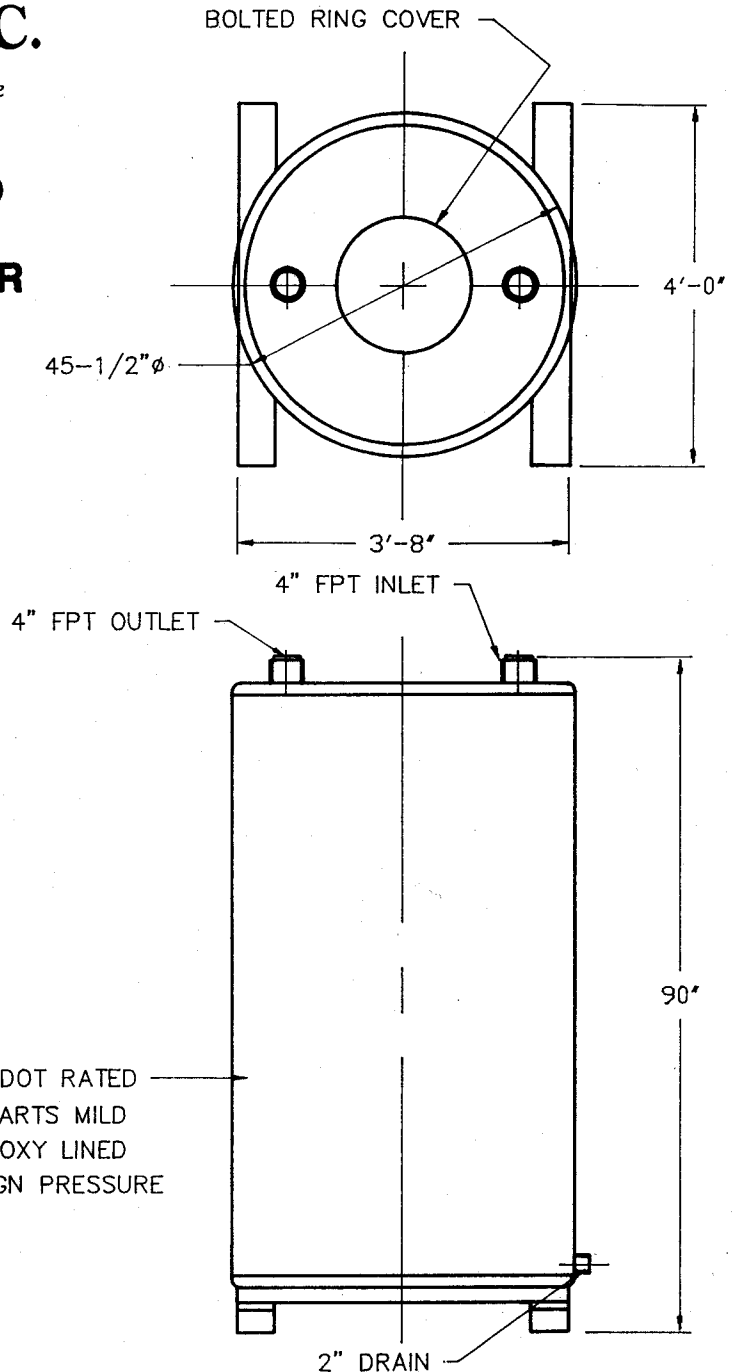
Activated Carbon Engineering, Sales and Service

S-6 AIRCLEAN 2000 POUND ACTIVATED CARBON AIR PURIFICATION ADSORBER

The SERVICE TECH S-6 (air)
Canister handles up to 550 CFM

FEATURES

- * 2000 Pounds of high activity carbon.
- * Low pressure drop @ 400 CFM
9" of water
- * DOT rated. Acceptable for
shipment of hazardous spent
carbon.
- * 2" Side drain for removal of
accumulated condensate.
- * Fork lift channels for easy mobility
- * 4" preforated inlet distributor
- * Filled with virgin 4x10 GAC, min 65. CTC
Other carbons also available
- * Easy on-site changeout capability by STI



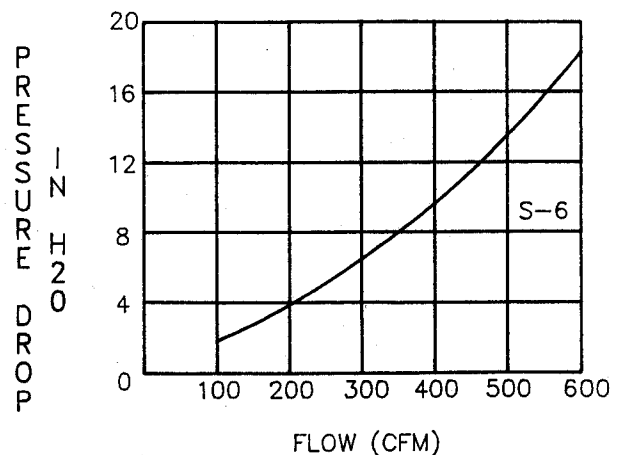
45-1/2" Ø DOT RATED
WETTED PARTS MILD
STEEL, EPOXY LINED
12 PSI DESIGN PRESSURE

The S-6 is similar to its liquid counterparts,
in that it is very low in cost & extremely
efficient. The intelligent engineers alternative.

SPECIFICATIONS

Container	- 45-1/2" dia/ x 90" hgt. - Epoxy phenolic interior lining, Epoxy exterior coating (grey)
Carbon	- 2000 lbs. virgin high activity carbon
Max. Pressure	- 12 PSI
Max. Flow Rate	- 550 CFM
Bed Depth	- 6.5'
Shipping Weight	- 2,500 lbs.
Inlet	- 4" fpt
Outlet	- 4" fpt
Drain	- 2" Bung

SERVICE TECH S-4
PRESSURE DROP CURVE



(508) 673-9784 • Toll Free (800) 368-0043 • Fax (508) 673-6151

• Mailing: P.O. Box 8093, Cranston, RI 02920 • Sales & Distribution: 1658 G.A.R. Highway, Swansea, MA 02777 • Warehouse & Manufacturing: 1980 Fall River Avenue, Seekonk, MA 02771